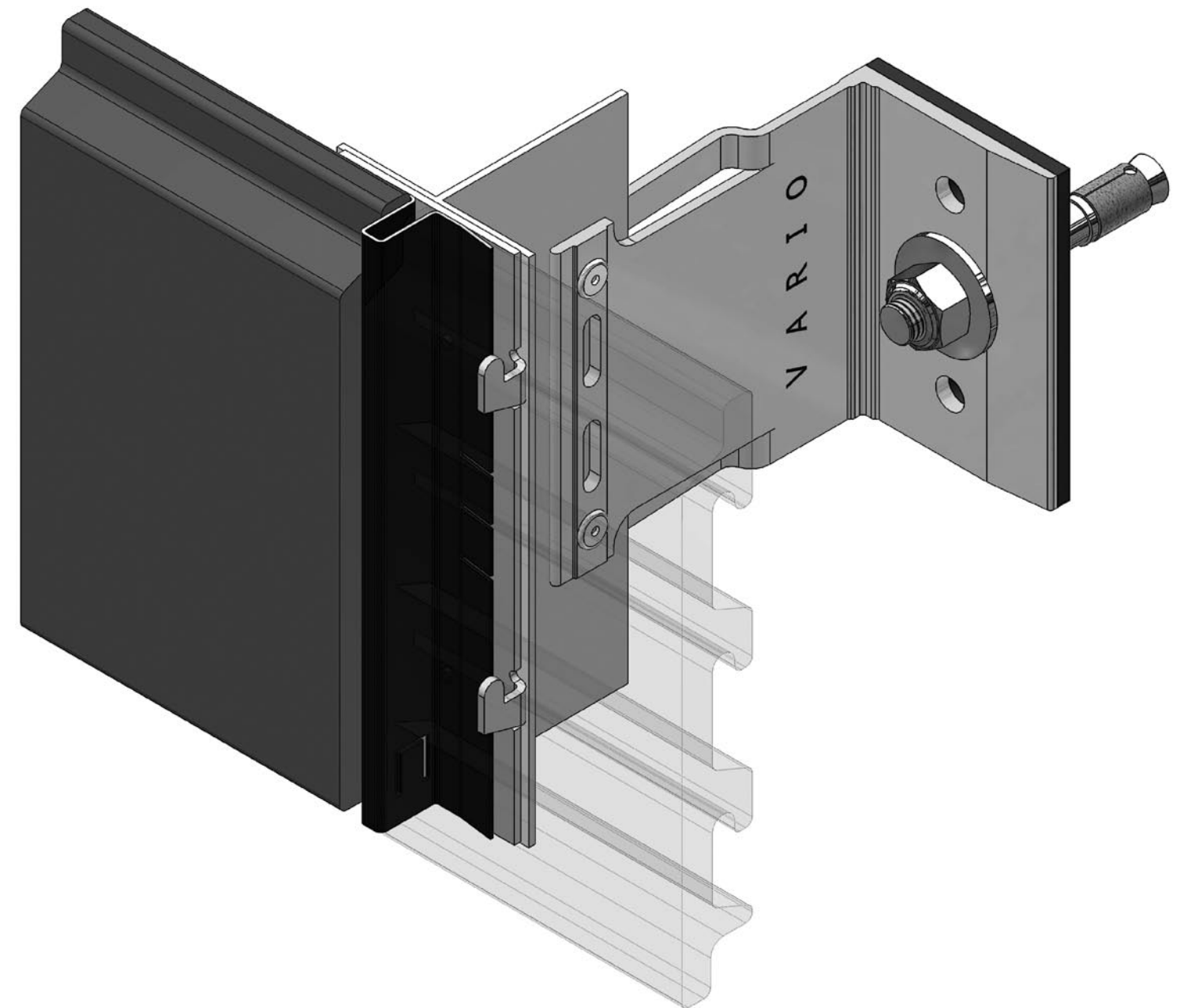




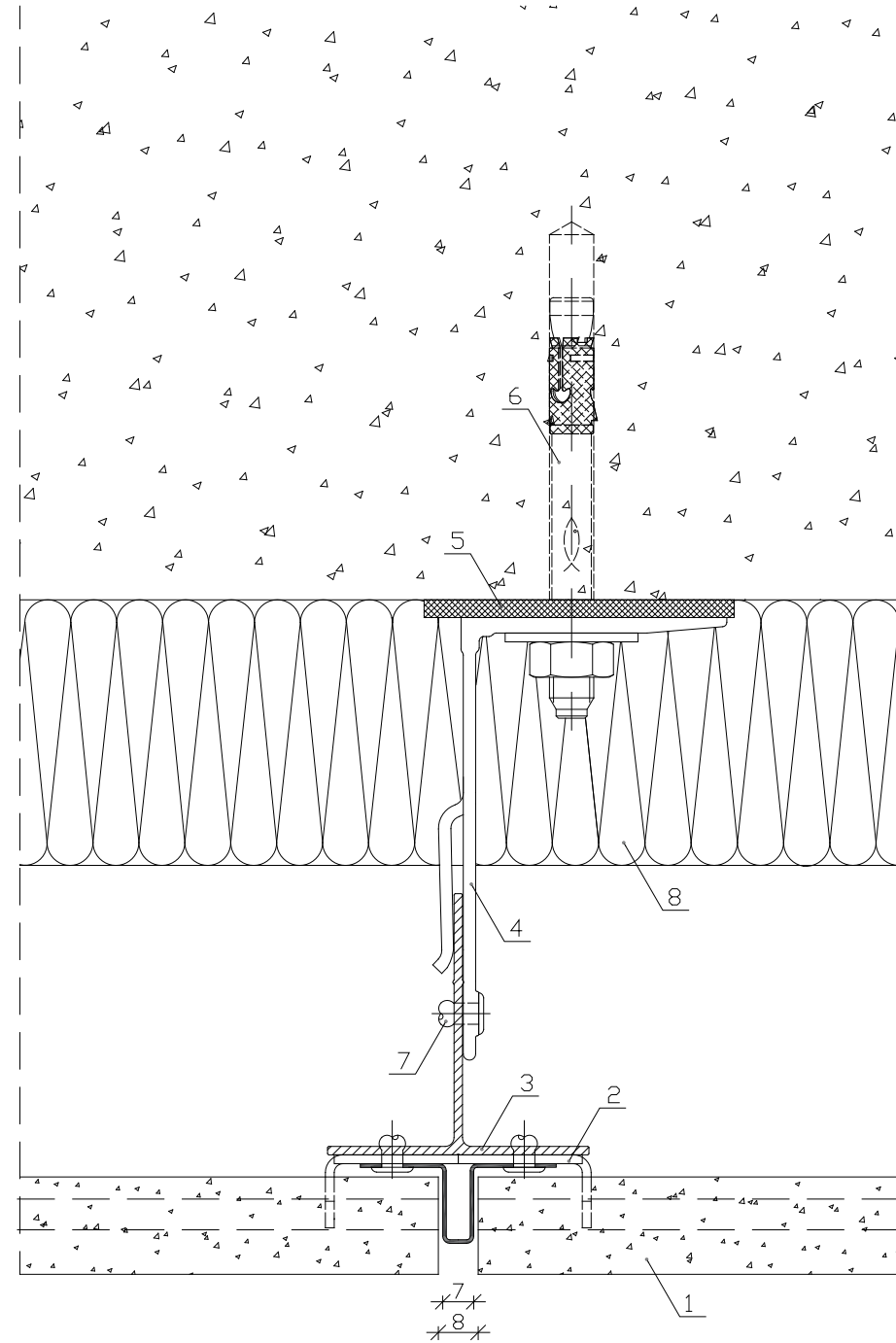
VARIO

VENTILATED FAÇADE SYSTEM FOR MOUNTING CERAMIC TILES CREATON



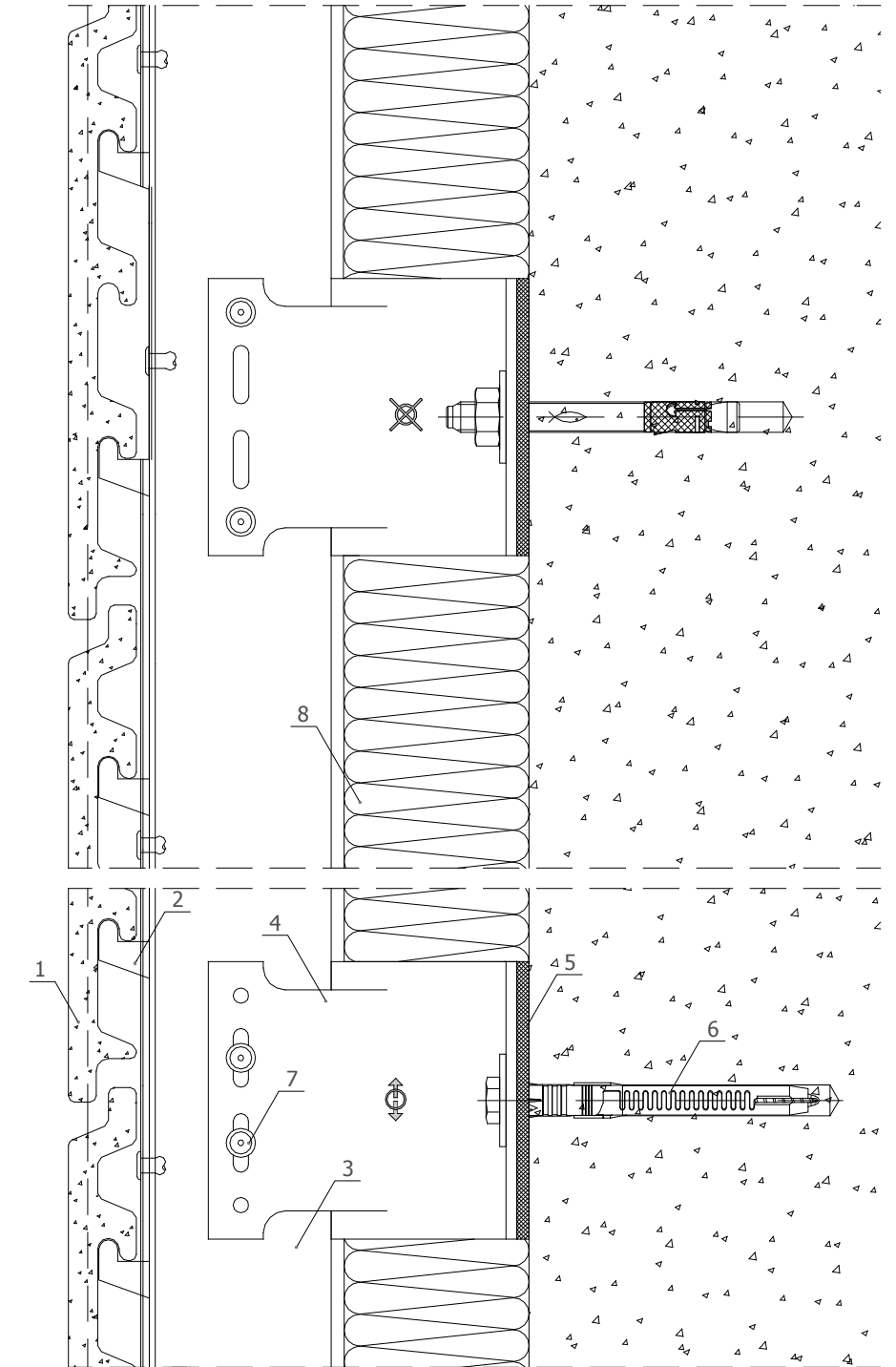
VARIO

detail 1 – ceramic Creaton



1. ceramic Creaton
2. base clinch rail profile
3. main profile
4. fixing bracket-100mm
5. thermo-insulation pad
6. anchor
7. rivet 4.8x12
8. thermal insulation

detail 2 – ceramic Creaton



1. ceramic Creaton
2. base clinch rail profile
3. main profile
4. fixing bracket -100mm
5. thermo-insulation pad
6. anchor/plug
7. rivet 4.8x12
8. thermal insulation

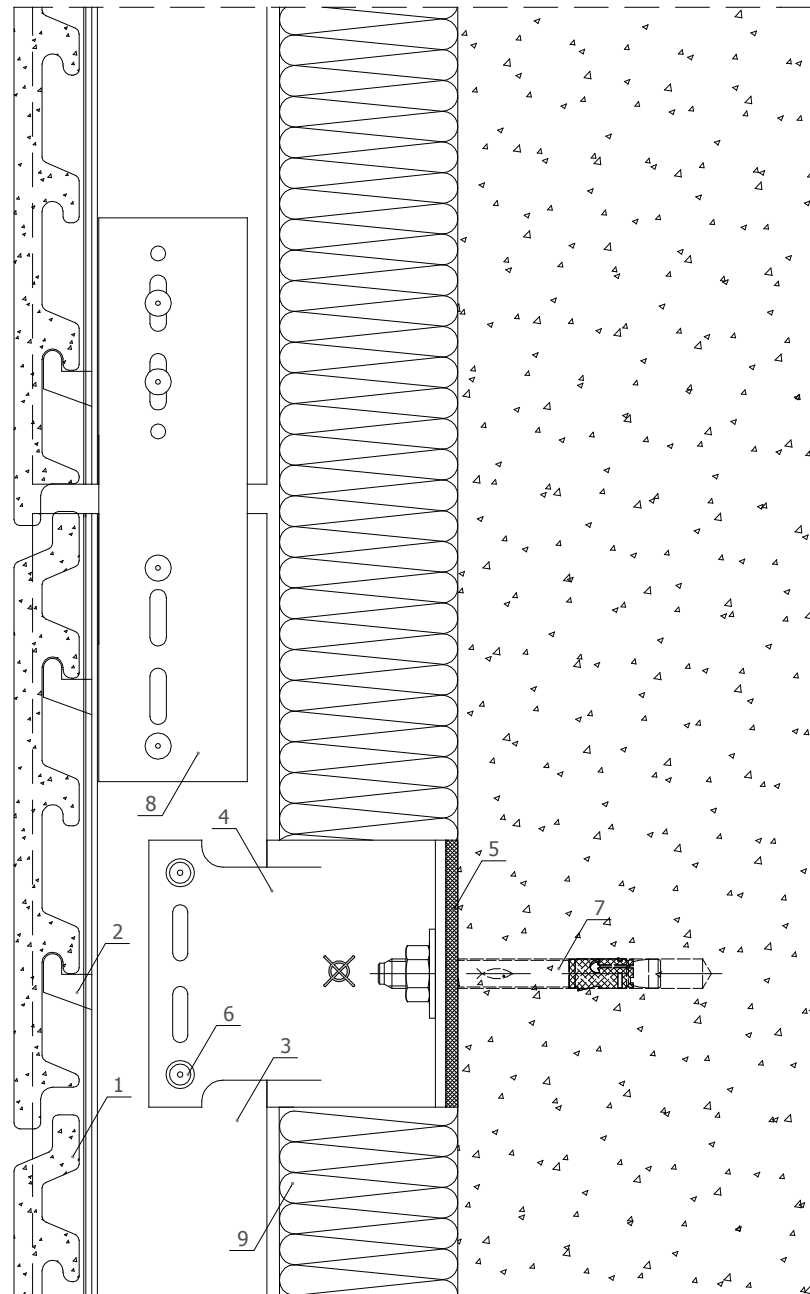
03/2010

The engineering design of this product is an intellectual property of ETEM Building Systems .
Copying and distributing any parts of the product is a violation of the copyright law.

03/2010

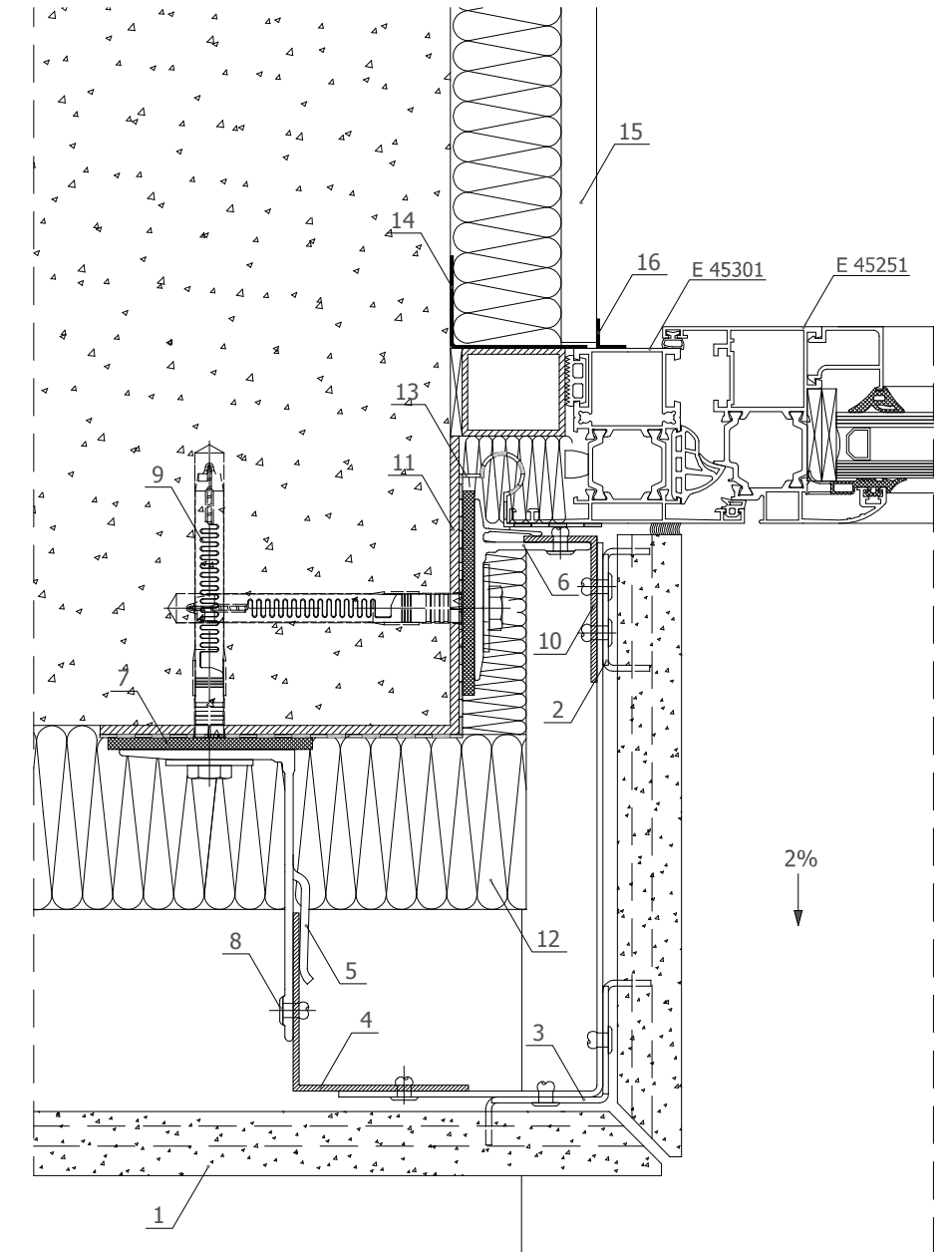
The engineering design of this product is an intellectual property of ETEM Building Systems .
Copying and distributing any parts of the product is a violation of the copyright law.

detail 2.1 – ceramic Creaton



1. ceramic Creaton
2. base clinch rail profile
3. main profile
4. fixing bracket – 100mm
5. thermo-insulation pad
6. rivet 4.8x12
7. anchor
8. joint profile
9. thermal insulation

detail 3 – ceramic Creaton



1. ceramic Creaton
2. etalbond®
3. end rail profile
4. main profile
5. fixing bracket – 100mm
6. fixing bracket – 40mm
7. thermo-insulation pad
8. rivet 4.8x12
9. anchor/plug
10. F profile
11. aluminum sheet – 3mm
12. thermal insulation
13. waterproofing
14. steamproofing membrane
15. plasterboard
16. decorative PVC profile

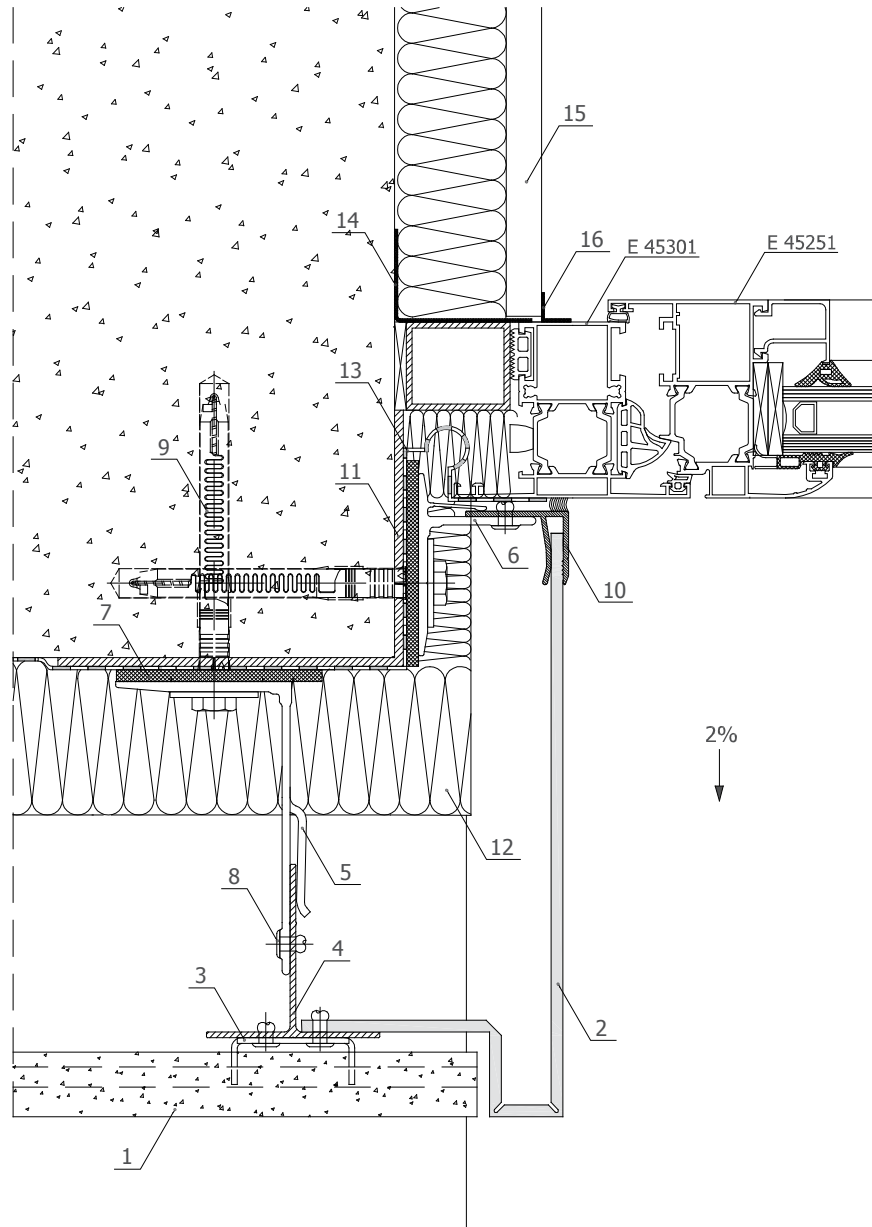
03/2010

The engineering design of this product is an intellectual property of ETEM Building Systems .
Copying and distributing any parts of the product is a violation of the copyright law.

03/2010

The engineering design of this product is an intellectual property of ETEM Building Systems .
Copying and distributing any parts of the product is a violation of the copyright law.

detail 3.1 – ceramic Creaton

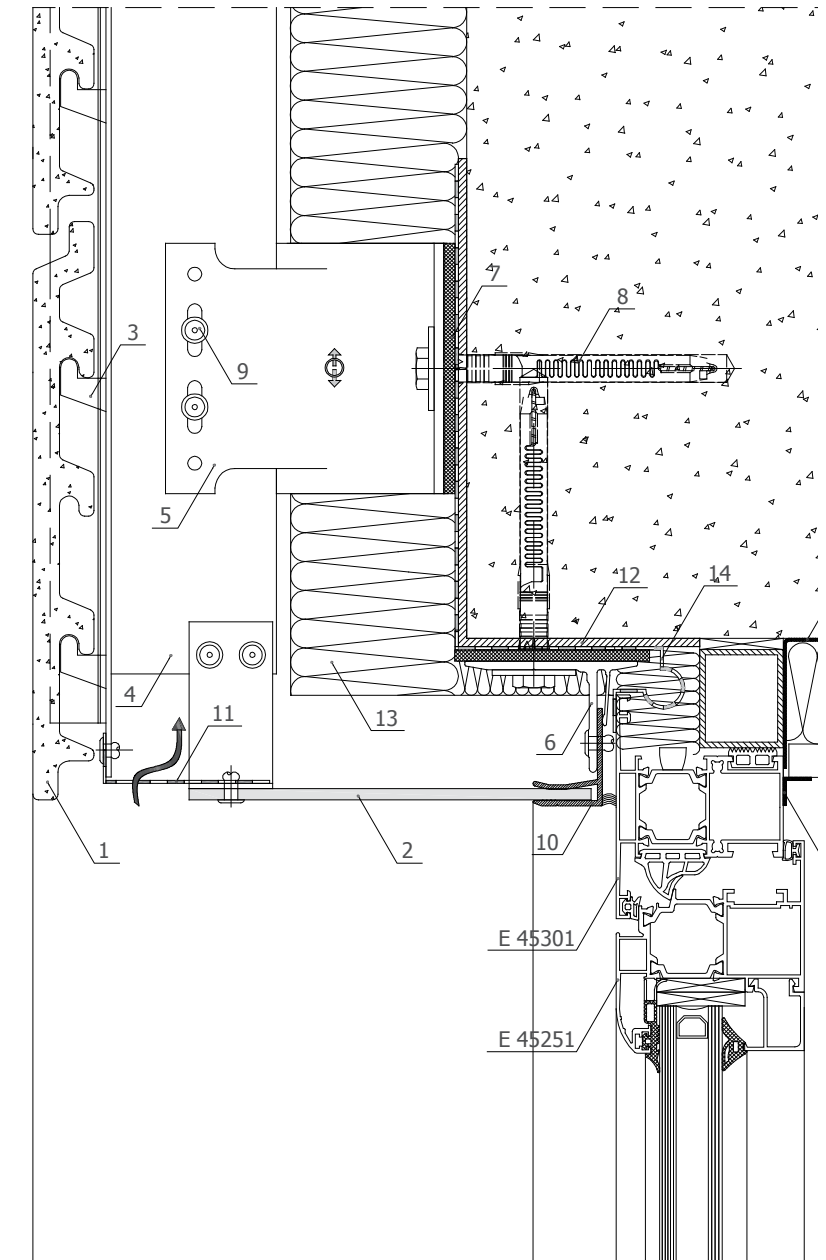


1. ceramic Creaton
2. etalbond®
3. end rail profile
4. main profile
5. fixing bracket - 100mm
6. fixing bracket - 40mm
7. thermo-insulation pad
8. rivet 4.8x12
9. plug
10. L profile 50x25x2
11. L profile 60x60x2
12. aluminum sheet - 3mm
13. thermal insulation
14. waterproofing
15. steamproofing membrane
16. plasterboard
17. decorative PVC profile

03/2010

The engineering design of this product is an intellectual property of ETEM Building Systems .
Copying and distributing any parts of the product is a violation of the copyright law.

detail 4 – ceramic Creaton

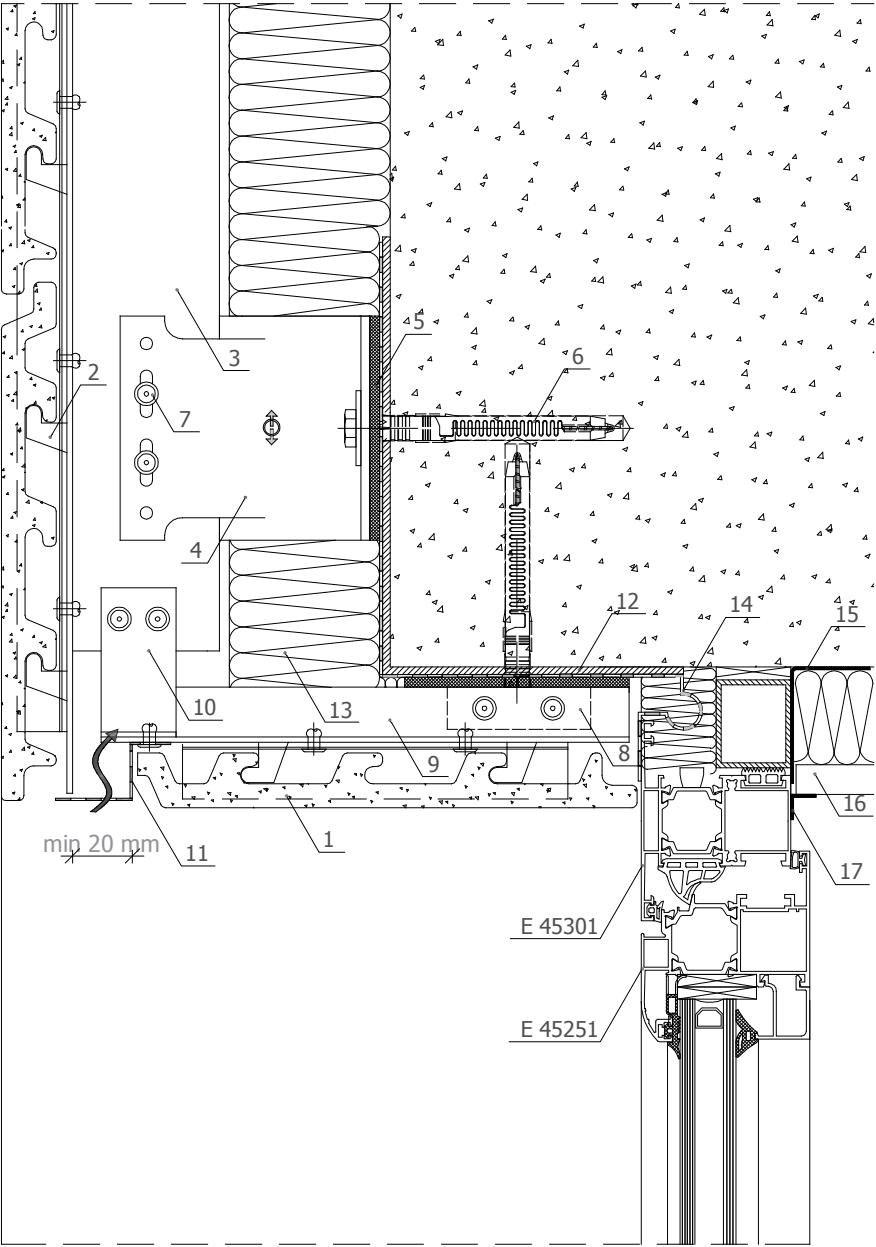


1. ceramic Creaton
2. etalbond®
3. base clinch rail profile
4. main profile
5. fixing bracket - 100mm
6. fixing bracket - 40mm
7. thermo-insulation pad
8. plug
9. rivet 4.8x12
10. F profile
11. perforated metal sheet
12. aluminum sheet - 3mm
13. thermal insulation
14. waterproofing
15. steamproofing membrane
16. plasterboard
17. decorative PVC profile

03/2010

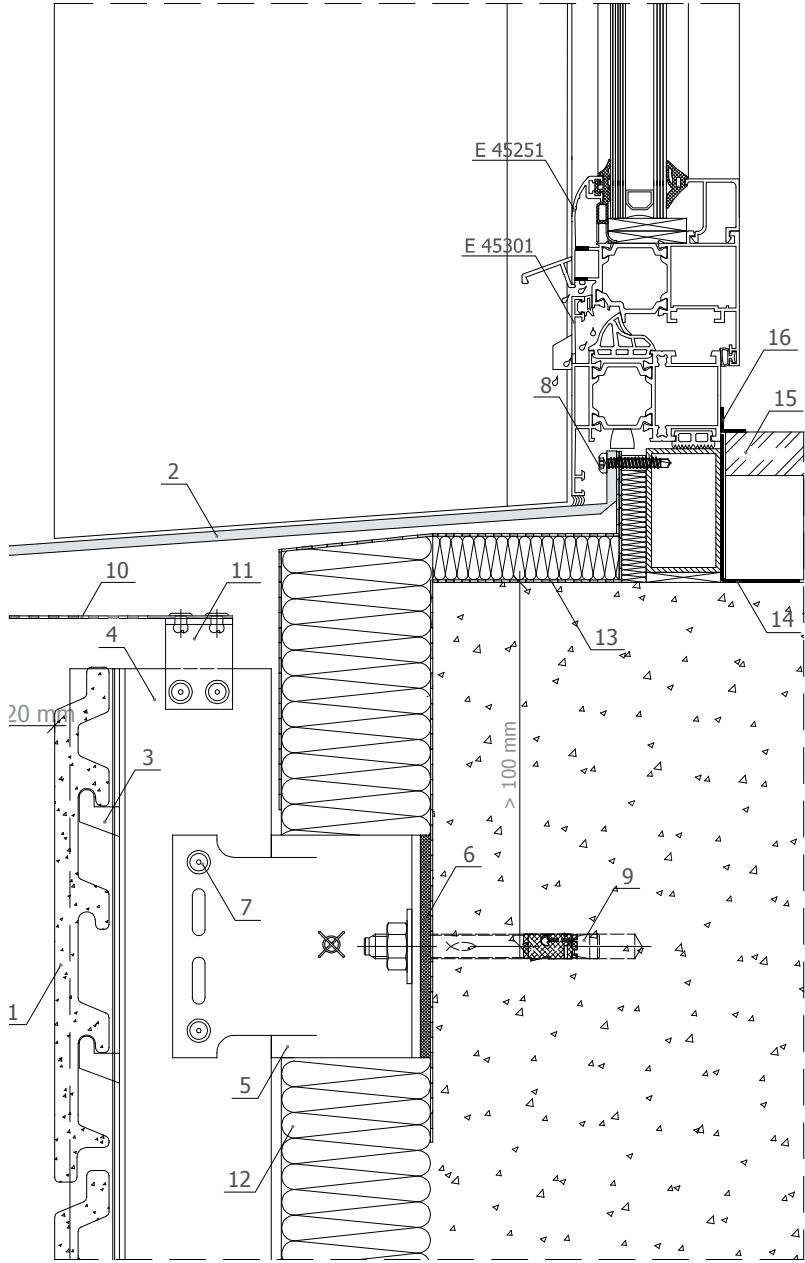
The engineering design of this product is an intellectual property of ETEM Building Systems .
Copying and distributing any parts of the product is a violation of the copyright law.

detail 4.1 – ceramic Creaton



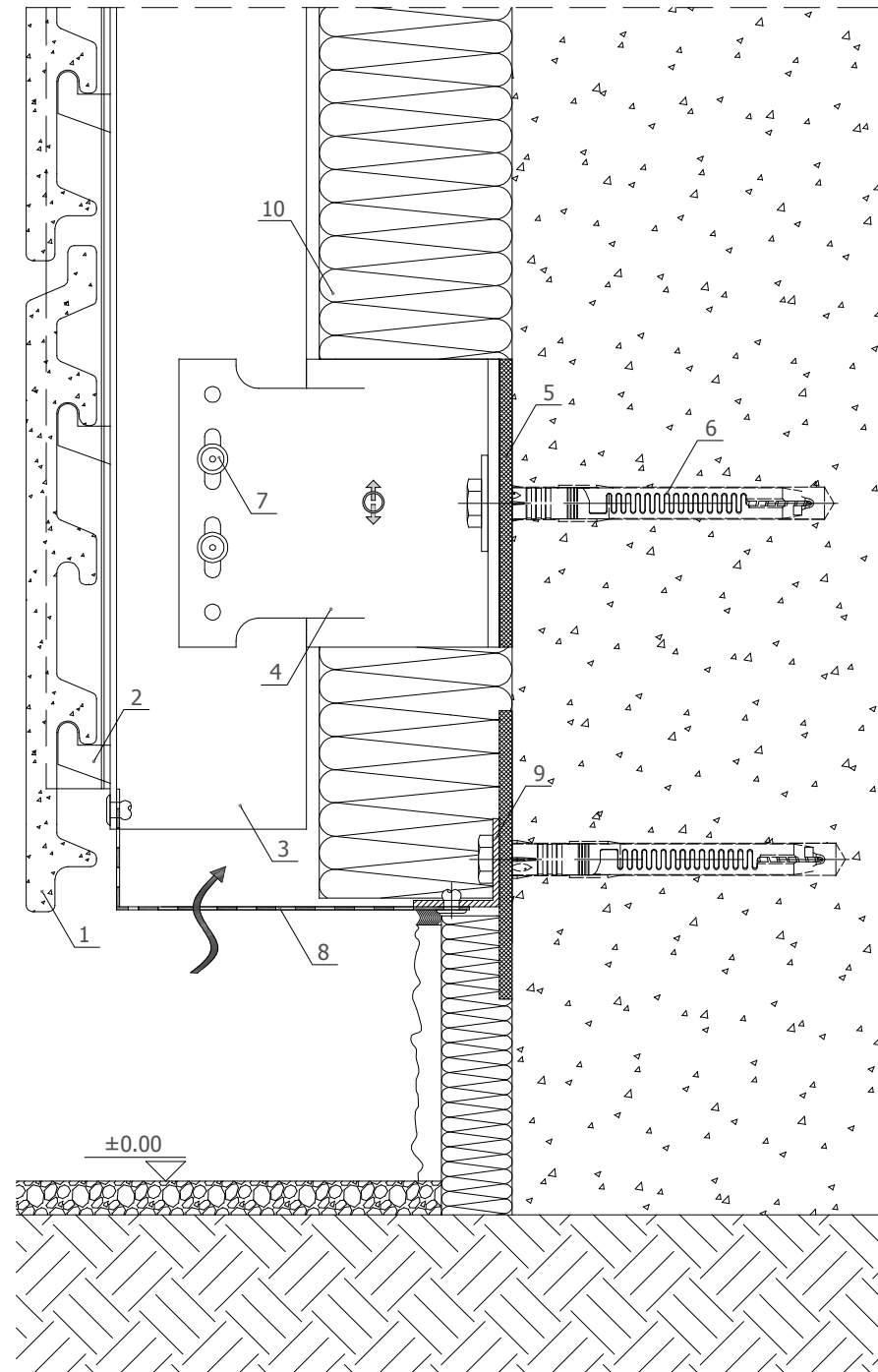
- 1. ceramic Creaton
- 2. base clinch rail profile
- 3. main profile
- 4. fixing bracket - 100mm
- 5. thermo-insulation pad
- 6. plug
- 7. rivet 4.8x12
- 8. L profile 50x20x2
- 9. L profile 60x60x2
- 10. perforated metal sheet
- 11. aluminum sheet - 3mm
- 12. thermal insulation
- 13. waterproofing
- 14. steamproofing membrane
- 15. plasterboard
- 16. decorative PVC profile

detail 5 – ceramic Creaton



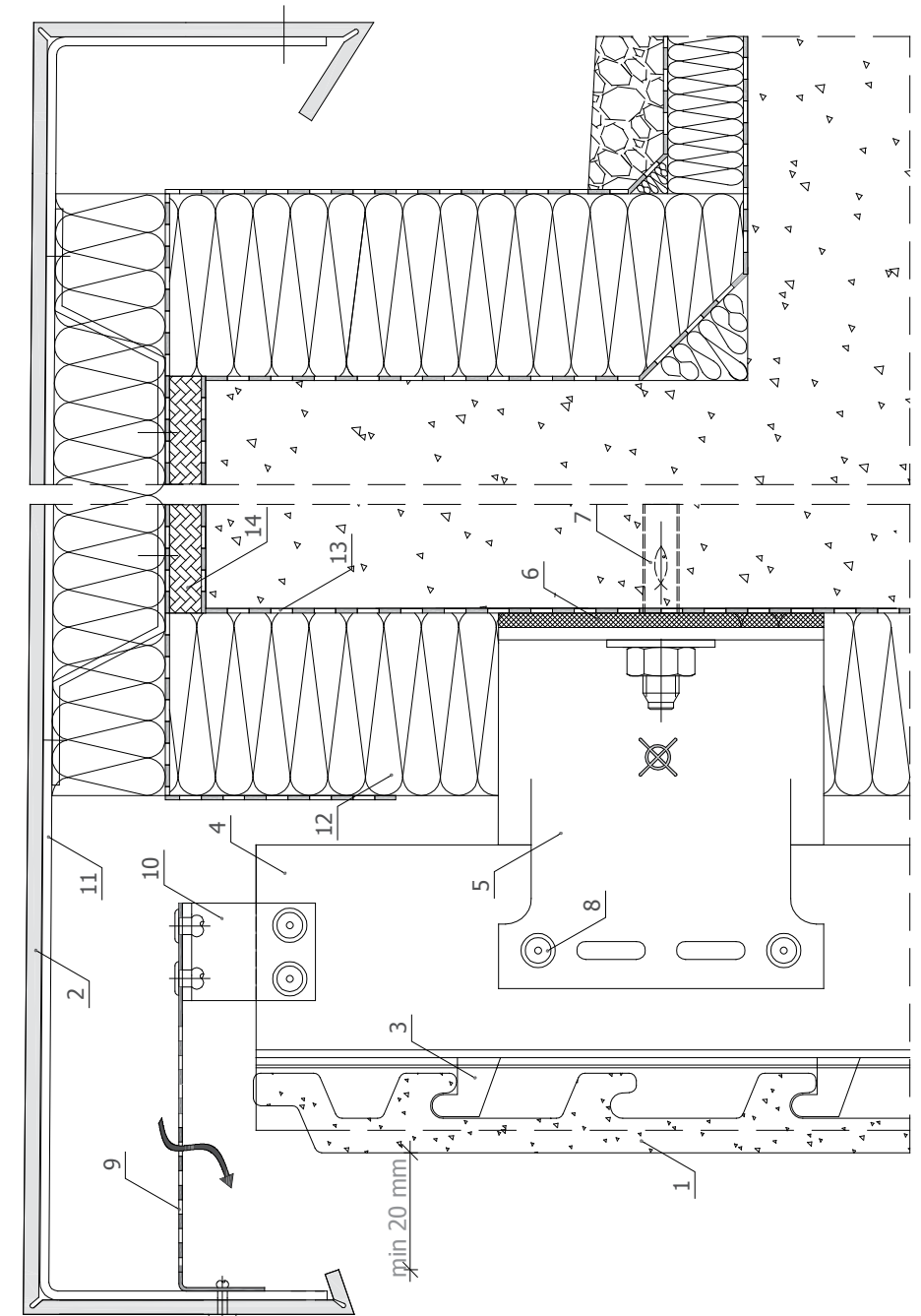
- 1. ceramic Creaton
- 2. etalbond®
- 3. base clinch rail profile
- 4. main profile
- 5. fixing bracket - 100mm
- 6. thermo-insulation pad
- 7. rivet 4.8x12
- 8. self drilling screw - 4.2x26
- 9. anchor
- 10. perforated metal sheet
- 11. L profile
- 12. thermal insulation
- 13. waterproofing
- 14. steamproofing membrane
- 15. drip sill
- 16. decorative PVC profile

detail 6 – ceramic Creaton



1. ceramic Creaton
2. base clinch rail profile
3. main profile
4. fixing bracket - 100mm
5. thermo-insulation pad
6. rivet 4.8x12
7. anchor
8. perforated metal sheet
9. L profile
10. thermal insulation

detail 7 – ceramic Creaton



1. ceramic Creaton
2. etalbond®
3. base clinch rail profile
4. main profile
5. fixing bracket - 100mm
6. thermo-insulation pad
7. anchor
8. rivet 4.8x12
9. perforated metal sheet
10. L profile
11. aluminum sheet - 3mm
12. thermal insulation
13. waterproofing
14. plywood

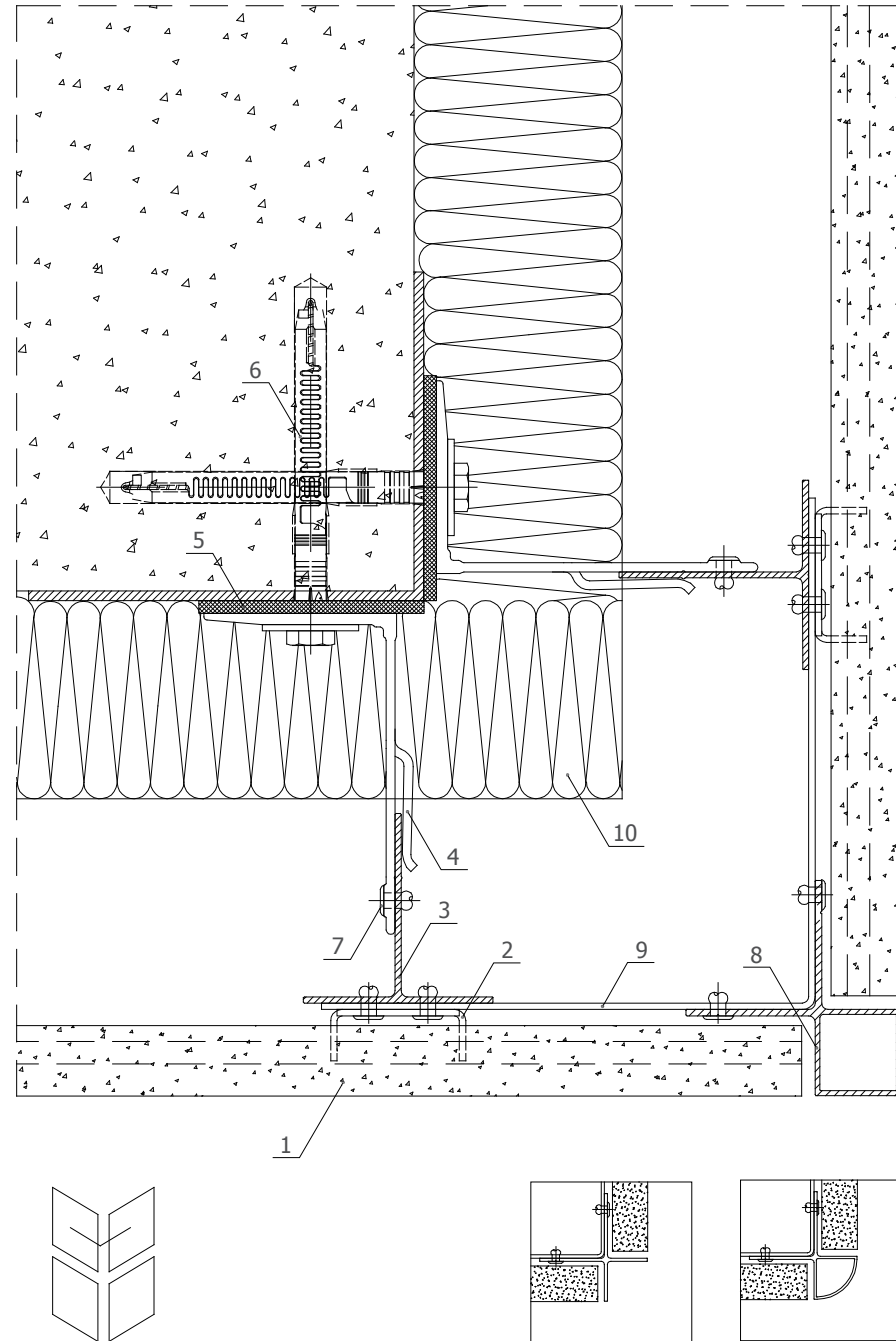
03/2010

The engineering design of this product is an intellectual property of ETEM Building Systems .
Copying and distributing any parts of the product is a violation of the copyright law.

03/2010

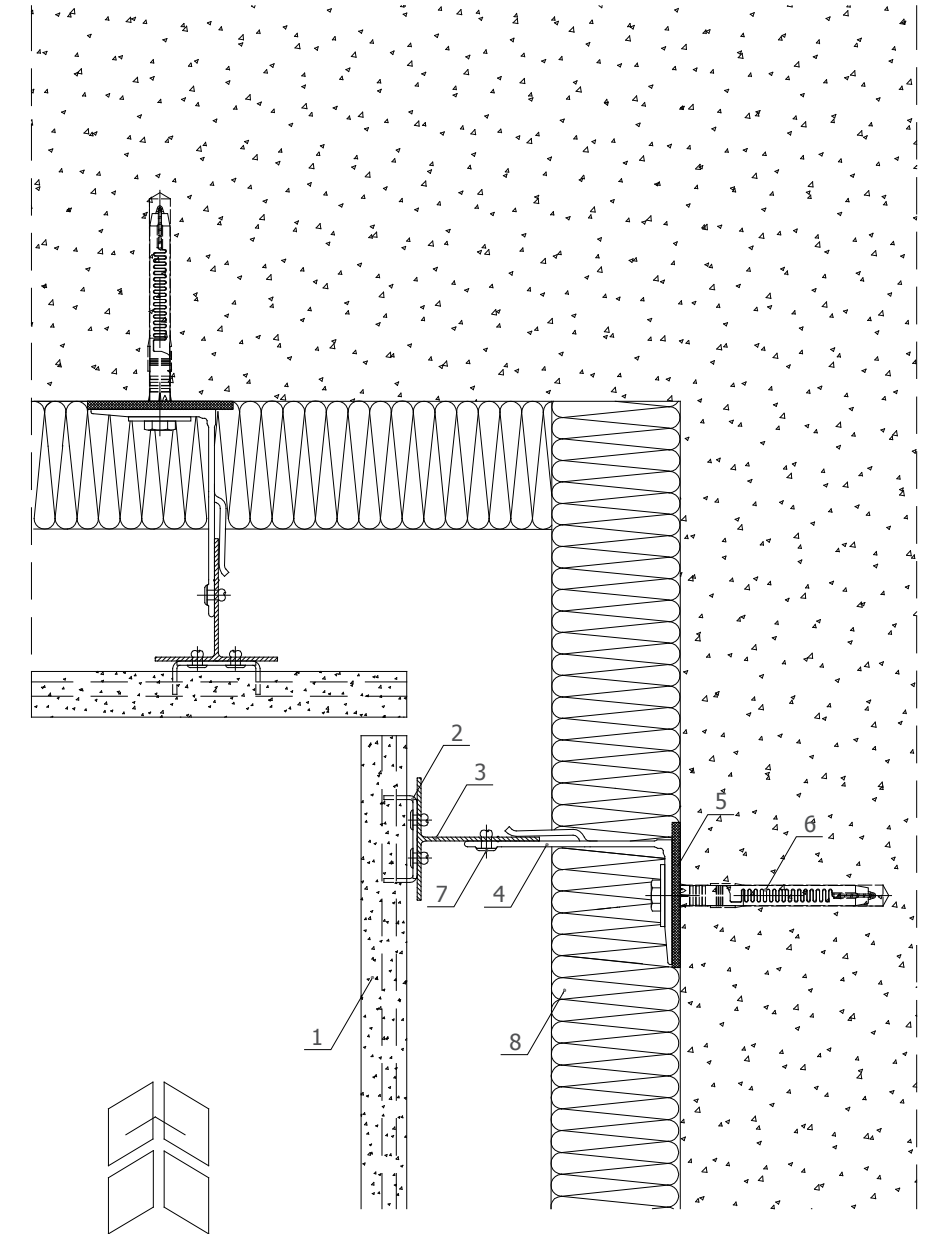
The engineering design of this product is an intellectual property of ETEM Building Systems .
Copying and distributing any parts of the product is a violation of the copyright law.

detail 8 – ceramic Creaton



1. ceramic Creaton
2. end rail profile
3. main profile
4. fixing bracket - 100mm
5. thermo-insulation pad
6. plug
7. rivet 4.8x12
8. corner profile
9. aluminum sheet - 3mm
10. thermal insulation

detail 9 – ceramic Creaton



1. ceramic Creaton
2. end rail profile
3. main profile
4. fixing bracket - 100mm
5. thermo-insulation pad
6. plug
7. rivet 4.8x12
8. thermal insulation

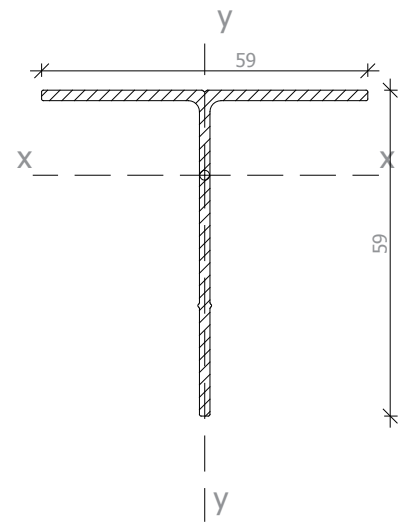
03/2010

The engineering design of this product is an intellectual property of ETEM Building Systems .
Copying and distributing any parts of the product is a violation of the copyright law.

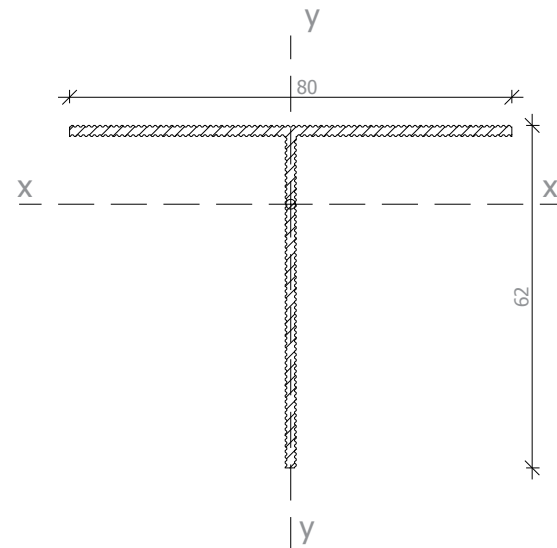
03/2010

The engineering design of this product is an intellectual property of ETEM Building Systems .
Copying and distributing any parts of the product is a violation of the copyright law.

main profile

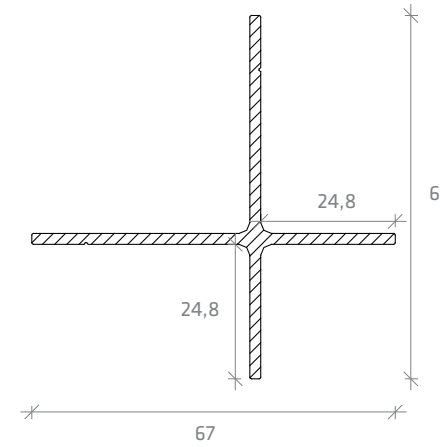


Profile 33570
 Weight 600.5g/m
 $I_x = 7.78 \text{ cm}^4$
 $W_x = 1.78 \text{ cm}^3$
 $I_y = 3.25 \text{ cm}^4$
 $W_y = 1.1 \text{ cm}^3$
 $A = 2.22 \text{ cm}^2$

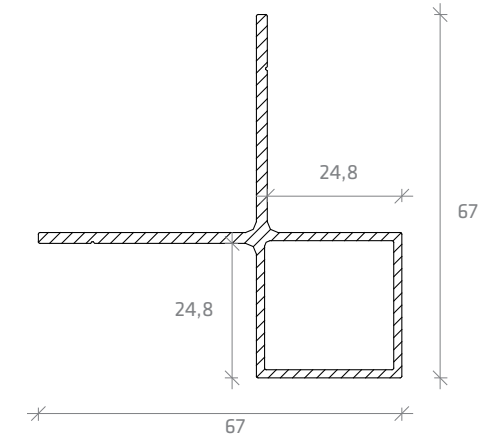


Profile 14222
 Weight 758.5 g/m
 $I_x = 86.70 \text{ cm}^4$
 $W_x = 18.16 \text{ cm}^3$
 $I_y = 72.56 \text{ cm}^4$
 $W_y = 50.85 \text{ cm}^3$
 $A = 2.38 \text{ cm}^2$

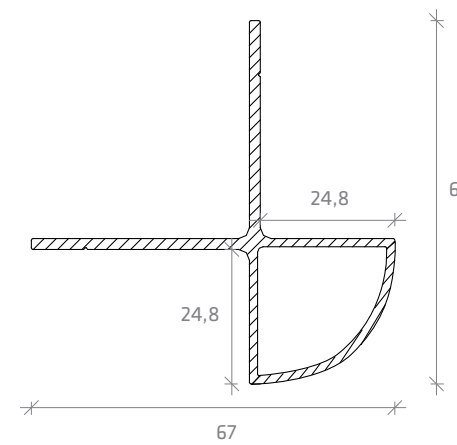
additional profiles



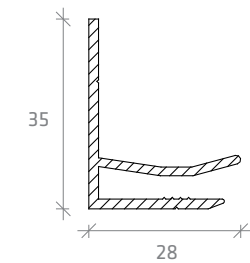
profile-code 33728
 weight-793g/m



profile-code 21995
 weight -935.3g/m

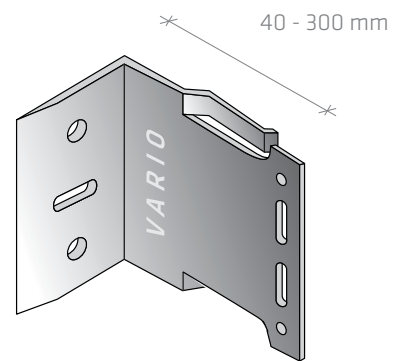
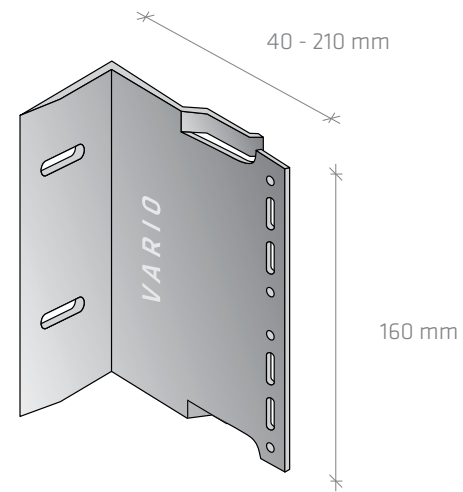


profile-code 21994
 weight -889.6 g/m

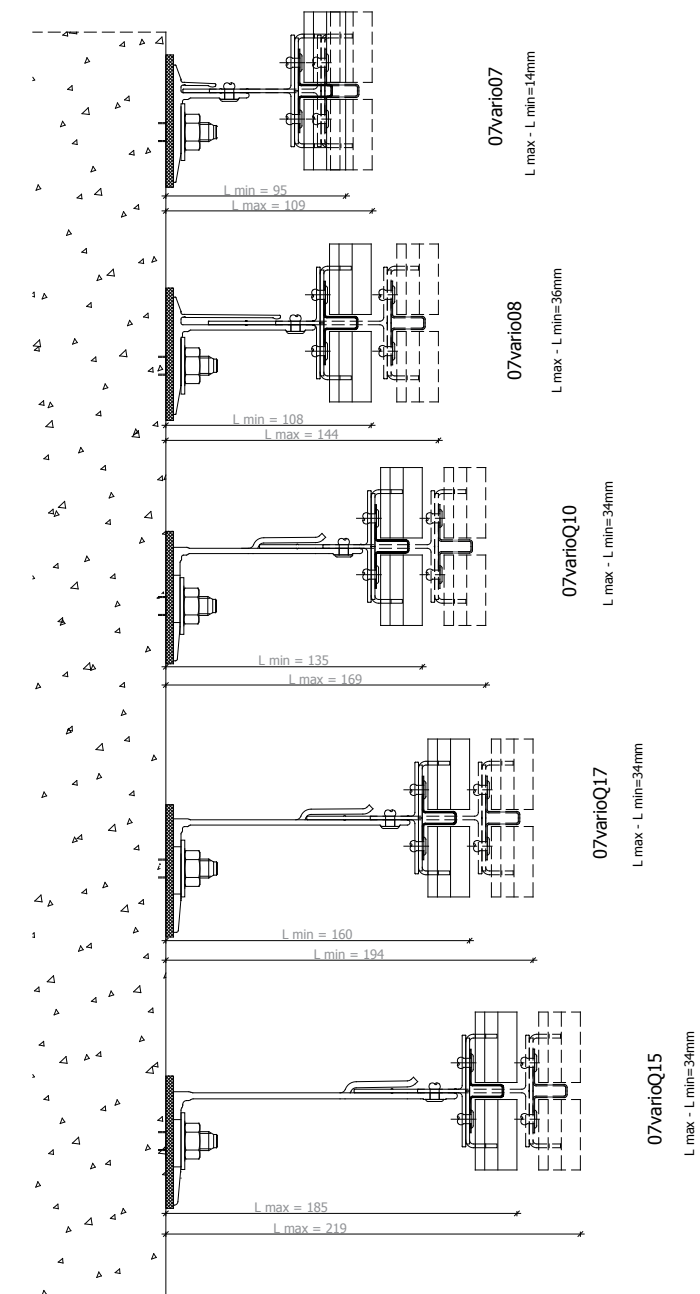


profile-code 31064
 weight -392g/m

fixing bracket



mounting distance from the construction base of profile - 33570



03/2010

The engineering design of this product is an intellectual property of ETEM Building Systems .
Copying and distributing any parts of the product is a violation of the copyright law.



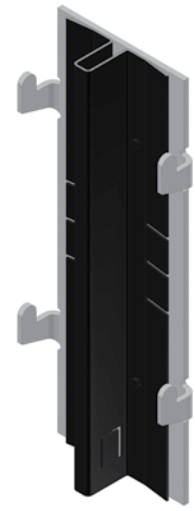
03/2010

The engineering design of this product is an intellectual property of ETEM Building Systems .
Copying and distributing any parts of the product is a violation of the copyright law.

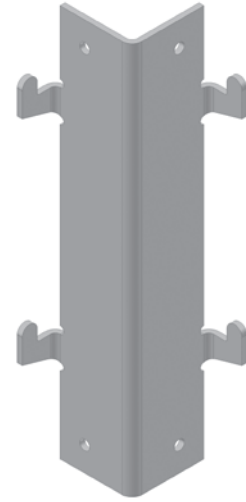
VARIO

VARIO

accessories



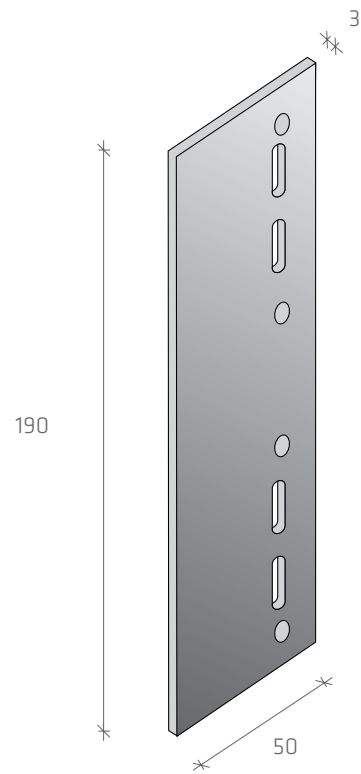
base clinch rail profile



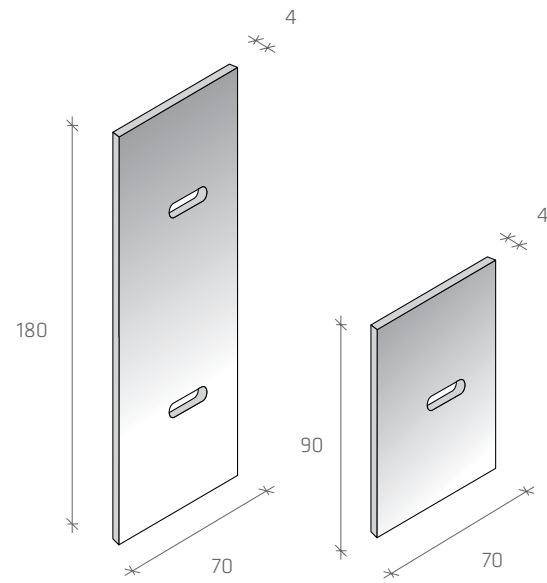
corner rail profile



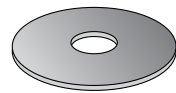
end rail profile



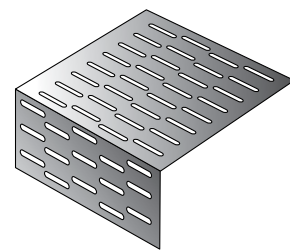
joint profile
code 07shina



thermo-insulation pad
code 07pvcbreak00

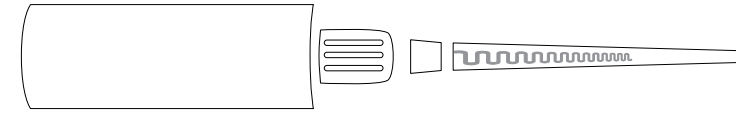


washer
code 07washerQ10

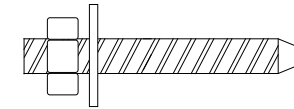


gratling

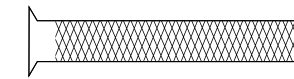
fastening elements



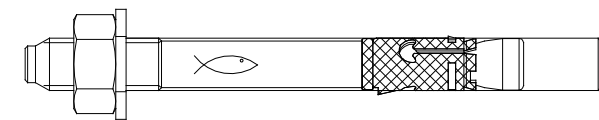
chemical anchor



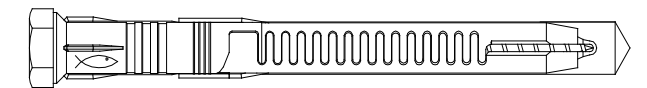
threaded rod



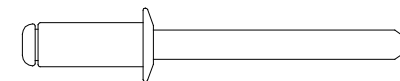
plastic sieve



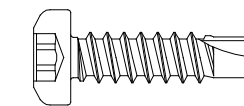
anchor



plug



rivet



self drilling screw

03/2010

The engineering design of this product is an intellectual property of ETEM Building Systems .
Copying and distributing any parts of the product is a violation of the copyright law.



03/2010

The engineering design of this product is an intellectual property of ETEM Building Systems.
Copying and distributing any parts of the product is a violation of the copyright law.



VARIO

VARIO